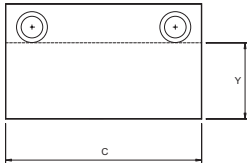
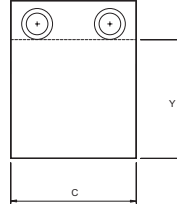


TYPE NT-R REAR PILLAR



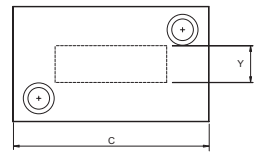
DIE SPACE		CENTRES	PILLAR	PLATE
C	Y	A	mm	mm
205	95	127.0	25	30
205	145	127.0	25	30
255	95	177.8	25	30
255	145	177.8	25	30
255	195	177.8	25	30
305	85	203.2	32	40
305	135	203.2	32	40
305	185	203.2	32	40
305	235	203.2	32	40
355	135	254.0	32	40
355	185	254.0	32	40
355	235	254.0	32	40
355	285	254.0	32	40
405	124	304.8	40	45
405	174	304.8	40	45
405	224	304.8	40	45
405	274	304.8	40	45
455	174	355.6	40	45
455	224	355.6	40	45
455	274	355.6	40	45
455	324	355.6	40	45
505	224	406.4	40	45
505	274	406.4	40	45
505	324	406.4	40	45
505	424	406.4	40	45

TYPE NT-RR REAR PILLAR



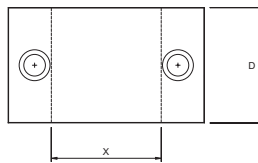
DIE SPACE		CENTRES	PILLAR	PLATE
C mm	Y mm	A	mm	mm
155	145	76.2	25	30
205	195	127.0	25	30
255	235	152.4	32	40
255	285	152.4	32	40
255	324	152.4	40	45
305	285	203.2	32	40
305	324	203.2	40	45
305	374	203.2	40	45
355	324	254.0	40	45
355	374	254.0	40	45
355	424	254.0	40	45
405	374	304.8	40	45
405	424	304.8	40	45

TYPE NT-D DIAGONAL PILLAR



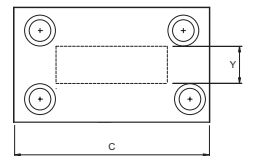
DIE SPACE		PILLAR		PLATE
C	Y	J	L	mm
205	37	19	25	30
205	87	19	25	30
255	87	19	25	30
255	137	19	25	30
305	115	25	32	40
305	165	25	32	40
355	115	25	32	40
355	165	25	32	40
355	215	25	32	40
405	93	32	40	45
405	143	32	40	45
405	193	32	40	45
455	143	32	40	45
455	193	32	40	45
455	243	32	40	45
505	193	32	40	45
505	243	32	40	45
505	343	32	40	45

DIE SPACE		PILLAR		CENTRES	PLATE
D	X	J	L	A	mm
155	84	19	25	127.0	30
205	84	19	25	127.0	30
205	134	19	25	177.8	30
255	134	19	25	177.8	30
255	153	25	32	203.2	40
255	203	25	32	254.0	40
255	242	32	40	304.8	45
305	153	25	32	203.2	40
305	203	25	32	254.0	40
305	242	32	40	304.8	45
305	292	32	40	355.6	45
355	203	25	32	254.0	40
355	242	32	40	304.8	45
355	392	32	40	355.6	45
355	342	32	40	406.4	45
405	292	32	40	355.6	45
405	342	32	40	406.4	45
505	342	32	40	406.4	45

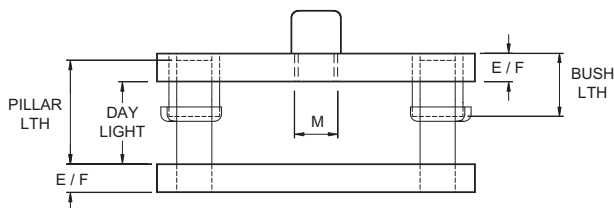
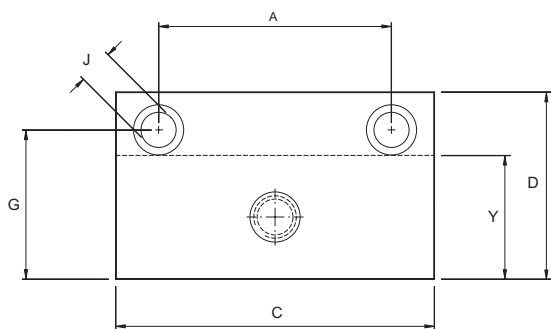


TYPE NT-C CENTRE PILLAR

TYPE NT-F FOUR PILLAR



DIE SPACE		PILLARS	CENTRES	PLATE
C	Y	L (4)	A	mm
205	55	19	140	30
205	105	19	140	30
255	87	25	180	30
255	137	25	180	30
305	137	25	230	40
305	187	30	230	40
355	137	25	280	40
355	187	25	280	40
355	237	25	280	40
405	115	32	315	45
405	165	32	315	45
405	215	32	315	45
455	165	32	365	45
455	215	32	365	45
455	265	32	365	45
505	193	40	405	45
505	243	40	405	45
505	343	40	405	45



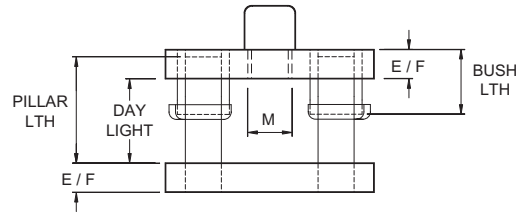
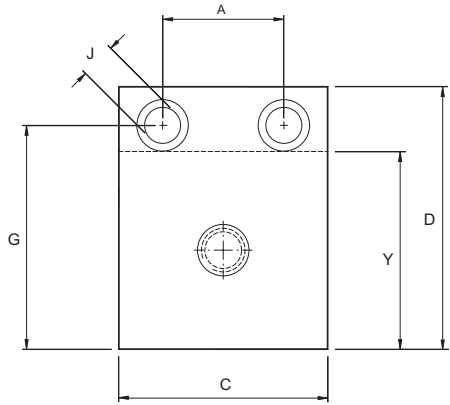
TYPE NT-R	DIE SPACE	G	A	D	E +0.0 -3.0	F +0.0 -3.0	PILLAR Ø J	M		KG	STANDARD ASSEMBLY					
	C x Y							WHIT in	ISO mm		PILLAR PROJ. LENGTH	BUSH LENGTH	DAYLIGHT	STROKE		
NT2015R	205 x 95	117	127.0	155	30	40	25	1	M24 x 2.0	16	110	75	90	50		
NT2020R	205 x 145	167		205						21	110	75	90	50		
NT2515R	255 x 95	117	177.8	155	19	110	75			90	50					
NT2520R	255 x 145	167		205	25	115	75			95	50					
NT2525R	255 x 195	217		255	31	115	75			95	50					
NT3015R	305 x 85	110	203.2	155	40	50	32			1 1/4	M30 x 2.0	30	110	75	90	50
NT3020R	305 x 135	160		205								39	110	75	90	50
NT3025R	305 x 185	210		255								51	120	90	90	60
NT3030R	305 x 235	260		305								60	120	90	90	60
NT3520R	355 x 135	160	254.0	205	46	120	75					90	50			
NT3525R	355 x 185	210		255	59	125	90	95	60							
NT3530R	355 x 235	260		305	69	125	90	95	60							
NT3535R	355 x 285	310		355	80	125	90	95	60							
NT4020R	405 x 124	155	304.8	205	45	55	40	1 1/4	M30 x 2.0			59	125	90	90	60
NT4025R	405 x 174	205		255								76	125	90	90	50
NT4030R	405 x 224	255		305								90	125	90	90	50
NT4035R	405 x 274	305		355								104	125	90	90	50
NT4525R	455 x 174	205	355.6	255	82	115	90					85	60			
NT4530R	455 x 224	255		305	101	140	100					105	60			
NT4535R	455 x 274	305		355	116	140	100			105	60					
NT4540R	455 x 324	355		405	132	140	100			105	60					
NT5030R	505 x 224	255	406.4	305	109	115	90			80	50					
NT5035R	505 x 274	305		355	128	160	100			125	60					
NT5040R	505 x 324	355		405	146	160	100			125	60					
NT5050R	505 x 424	455		505	180	160	100			125	60					

Pillar and bush lengths can be varied from the above, see pages 4/6 - 4/7.

All sets can be supplied with linear bearings and/or demountable pillars and bushes.

Flame cut apertures or additional machining to order.

ATTENTION
Standard Assemblies
If the daylight as stated above is reduced, pillars will project at the bottom of the stroke.



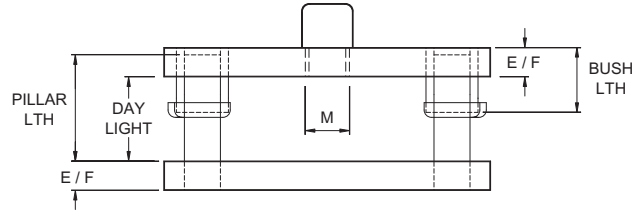
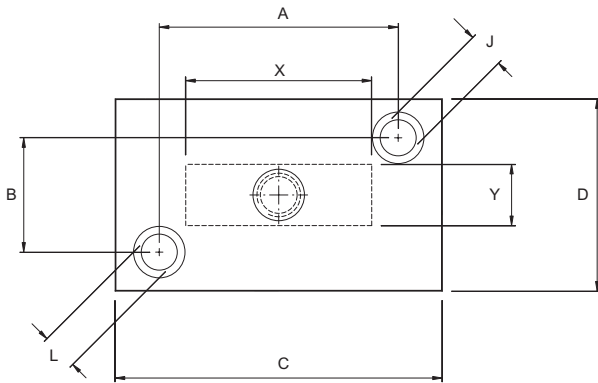
TYPE	DIE SPACE	G	A	D	E +0.0 -3.0	F +0.0 -3.0	PILLAR Ø J	M		KG	STANDARD ASSEMBLY						
								WHIT in	ISO mm		PILLAR PROJ. LENGTH	BUSH LENGTH	DAYLIGHT	STROKE			
NT-RR	C x Y																
NT2015RR	155 x 145	167	76.2	205	30	40	25	1	M24 x 2.0	16	100	75	80	50			
NT2520RR	205 x 195	217	127.0	255						25	100	75	80	50			
NT3025RR	255 x 235	260	152.4	305	40	50	32	1 1/4	M30 x 2.0	51	110	75	90	50			
NT3525RR	255 x 285	310	152.4	355						59	110	75	90	50			
NT3530RR	305 x 285	310	203.2	355	45	55	40	1 1/4	M30 x 2.0	69	110	90	80	60			
NT4025RR	255 x 324	355	152.4	405						76	110	90	80	60			
NT4030RR	305 x 324	355	203.2	405						90	115	90	85	60			
NT4035RR	355 x 324	355	254.0	405						104	115	90	85	60			
NT4530RR	305 x 374	405	203.2	455						101	115	90	85	60			
NT4535RR	355 x 374	405	254.0	455						116	115	90	80	60			
NT4540RR	405 x 374	405	304.8	455						132	115	90	80	60			
NT5035RR	355 x 424	455	254.0	505						128	115	90	80	50			
NT5040RR	405 x 424	455	304.8	505						146	130	100	95	80			

Pillar and bush lengths can be varied from the above, see pages 4/6 - 4/7.

All sets can be supplied with linear bearings and/or demountable pillars and bushes.

Flame cut apertures or additional machining to order.

ATTENTION
Standard Assemblies
 If the daylight as stated above is reduced, pillars will project at the bottom of the stroke.



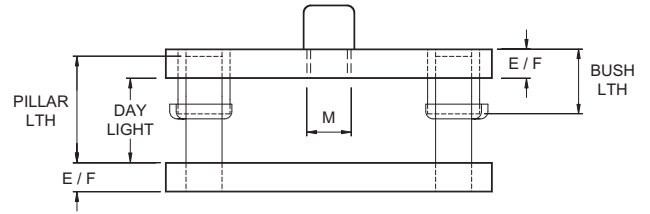
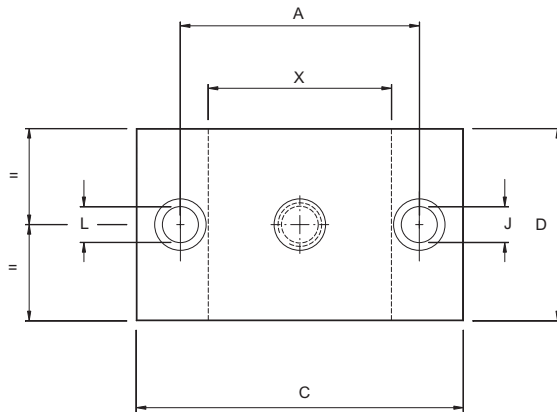
TYPE NT-D	DIE SPACE		A	B	E +0.0 -3.0	F +0.0 -3.0	PILLAR Ø		M		KG	STANDARD ASSEMBLY			
	C x Y	D x X					J	L	WHIT in	ISO mm		PILLAR PROJ. LENGTH	BUSH LENGTH	DAYLIGHT	STROKE
NT2015D	205 x 37	155 x 87	130	80	30	40	19	25	1	M24 x 2.0	16	100	75	80	50
NT2020D	205 x 87	205 x 87	130	130							21	100	75	80	50
NT2520D	255 x 87	205 x 137	180	130							25	110	75	90	50
NT2525D	255 x 137	255 x 137	180	180							31	110	75	90	50
NT3025D	305 x 115	255 x 165	215	165	40	50	25	32	1	M24 x 2.0	51	110	90	80	60
NT3030D	305 x 165	305 x 165	215	215							60	110	90	80	60
NT3525D	355 x 115	255 x 205	265	165							59	115	90	85	60
NT3530D	355 x 165	305 x 205	265	215							69	115	90	85	60
NT3535D	355 x 215	355 x 215	265	265	45	55	32	40	1 1/4	M30 x 2.0	80	115	90	85	60
NT4025D	405 x 93	255 x 243	305	155							76	115	90	80	50
NT4030D	405 x 143	305 x 243	305	205							90	115	90	80	50
NT4035D	405 x 193	355 x 243	305	255							104	115	90	80	50
NT4530D	455 x 143	305 x 293	355	205	45	55	32	40	1 1/4	M30 x 2.0	101	130	100	95	60
NT4535D	455 x 193	355 x 293	355	255							116	130	100	95	60
NT4540D	455 x 243	405 x 293	355	305							132	130	100	95	60
NT5035D	505 x 193	355 x 343	405	255							128	150	100	115	60
NT5040D	505 x 243	405 x 343	405	305	45	55	32	40	1 1/4	M30 x 2.0	146	150	100	115	60
NT5050D	505 x 343	505 x 343	405	405							180	150	100	115	60

Pillar and bush lengths can be varied from the above, see pages 4/6 - 4/7.

All sets can be supplied with linear bearings and/or demountable pillars and bushes.

Flame cut apertures or additional machining to order.

ATTENTION
Standard Assemblies
 If the daylight as stated above is reduced, pillars will project at the bottom of the stroke.



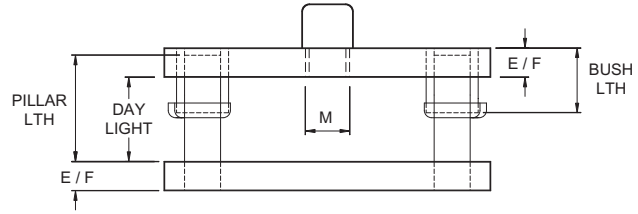
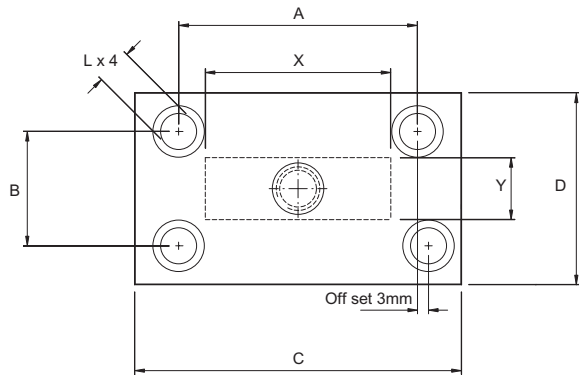
TYPE NT-C	DIE SPACE	A	C	E +0.0 -3.0	F +0.0 -3.0	PILLAR Ø		M		KG	STANDARD ASSEMBLY			
	D x X					J	L	WHIT in	ISO mm		PILLAR PROJ. LENGTH	BUSH LENGTH	DAYLIGHT	STROKE
NT2015C	155 x 84	127.0	205	30	40	19	25	1	M24 x 2.0	16	100	75	80	50
NT2020C	205 x 84										100	75	80	50
NT2520C	205 x 134	177.8	255	30	40	19	25	1	M24 x 2.0	25	110	75	90	50
NT2525C	255 x 134										110	75	90	50
NT3025C	255 x 153	203.2	305	30	40	19	25	1	M24 x 2.0	51	110	90	80	60
NT3030C	305 x 153										110	90	80	60
NT3525C	255 x 203	254.0	355	40	50	25	32	1 1/4	M30 x 2.0	59	115	90	85	60
NT3530C	305 x 203									69	115	90	85	60
NT3535C	355 x 203									80	115	90	85	60
NT4025C	255 x 242	304.8	405	45	55	32	40	1 1/4	M30 x 2.0	76	115	90	80	50
NT4030C	305 x 242									90	115	90	80	50
NT4035C	355 x 242									104	115	90	80	50
NT4530C	305 x 292									101	130	100	95	60
NT4535C	355 x 292	355.6	455	45	55	32	40	1 1/4	M30 x 2.0	116	130	100	95	60
NT4540C	405 x 292									132	130	100	95	60
NT5035C	355 x 342	406.4	505	45	55	32	40	1 1/4	M30 x 2.0	128	150	100	115	60
NT5040C	405 x 342									146	150	100	115	60
NT5050C	505 x 342									180	150	100	115	60

Pillar and bush lengths can be varied from the above, see pages 4/6 - 4/7.

All sets can be supplied with linear bearings and/or demountable pillars and bushes.

Flame cut apertures or additional machining to order.

ATTENTION
Standard Assemblies
 If the daylight as stated above is reduced, pillars will project at the bottom of the stroke.



TYPE NT-F	DIE SPACE		A	B	E +0.0 -3.0	F +0.0 -3.0	PILLAR Ø L 4 OFF	M		KG	STANDARD ASSEMBLY			
	C x Y	D x X						WHIT in	ISO mm		PILLAR PROJ. LENGTH	BUSH LENGTH	DAYLIGHT	STROKE
NT2015F	205 x 55	155 x 105	140	90	30	40	19	1	M24 x 2.0	16	100	75	80	55
NT2020F	205 x 105	205 x 105		140						21	100	75	80	55
NT2520F	255 x 87	205 x 137	180	130	40	40	25	1	M24 x 2.0	25	110	75	90	50
NT2525F	255 x 137	255 x 137		180						31	110	75	90	50
NT3025F	305 x 137	255 x 187	230	180	40	50	25	1 1/4	M30 x 2.0	51	110	90	80	65
NT3030F	305 x 187	305 x 187		230						60	110	90	80	65
NT3525F	355 x 137	255 x 237	280	180	40	50	25	1 1/4	M30 x 2.0	59	115	90	85	65
NT3530F	355 x 187	305 x 237		230						69	115	90	85	65
NT3535F	355 x 237	355 x 237		280						80	115	90	85	65
NT4025F	405 x 115	255 x 265	315	165	45	55	32	1 1/4	M30 x 2.0	76	115	90	80	60
NT4030F	405 x 165	305 x 265		215						90	115	90	80	60
NT4035F	405 x 215	355 x 265		265						104	115	90	80	60
NT4530F	455 x 165	305 x 315	365	215	45	55	32	1 1/4	M30 x 2.0	101	130	100	95	70
NT4535F	455 x 215	355 x 315		265						116	130	100	95	70
NT4540F	455 x 265	405 x 315		315						132	130	100	95	70
NT5035F	505 x 193	355 x 343	405	255	45	55	40	1 1/4	M30 x 2.0	128	150	100	115	60
NT5040F	505 x 243	405 x 343		305						146	150	100	115	60
NT5050F	505 x 343	505 x 343		405						180	150	100	115	60

Pillar and bush lengths can be varied from the above, see pages 4/6 - 4/7.

All sets can be supplied with linear bearings and/or demountable pillars and bushes.

Flame cut apertures or additional machining to order.

ATTENTION
Standard Assemblies
 If the daylight as stated above is reduced, pillars will project at the bottom of the stroke.